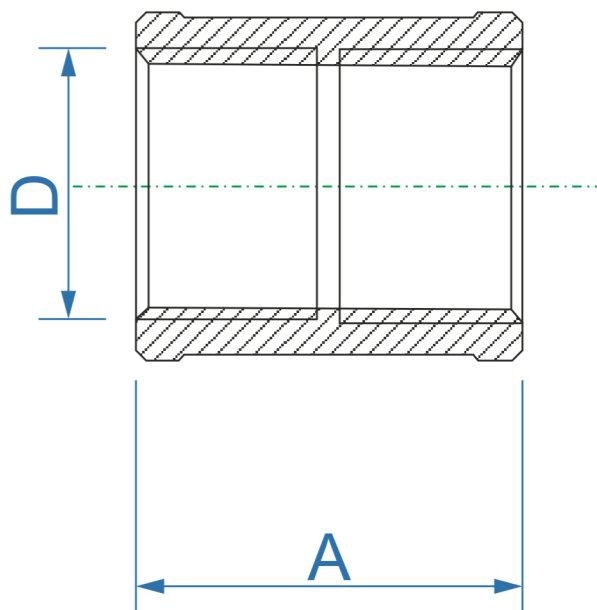


07824MZ

nátrubek - hrdlo



| objednací kód | PN [Mpa] | A [mm] | D |
|---------------|----------|--------|--------|
| 07824MZ38 | 1,0 | 19,5 | F 3/8" |
| 07824MZ12 | 1,0 | 25 | F 1/2" |
| 07824MZ34 | 1,0 | 33 | F 3/4" |
| 07824MZ1 | 1,0 | 36 | F 1" |
| 07824MZ54 | 1,0 | 43 | F 5/4" |
| 07824MZ64 | 1,0 | 51 | F 6/4" |
| 07824MZ2 | 1,0 | 56 | F 2" |