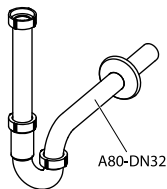




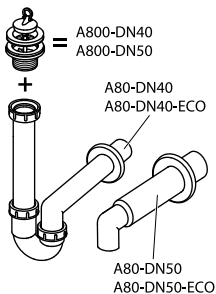
## A80 ■ A81 ■ A82 ■ A83 ■ A84 ■ A800 ■ A810 ■ A820 ■ A830 ■ A840

A80-DN40-ECO ■ A80-DN50-ECO ■ A81-DN40-ECO

A81-DN50-ECO ■ A83-DN50/40-ECO



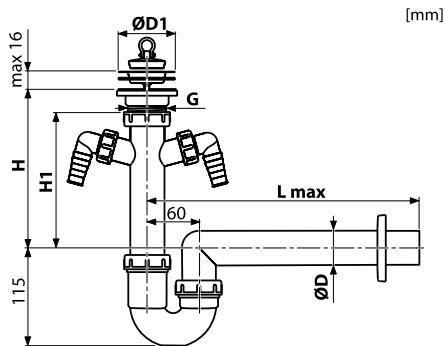
A80-DN32



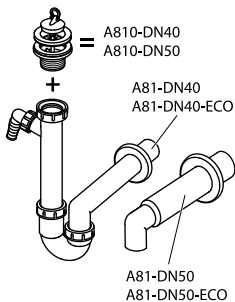
= A800-DN40  
A800-DN50

A80-DN40  
A80-DN40-ECO

A80-DN50  
A80-DN50-ECO



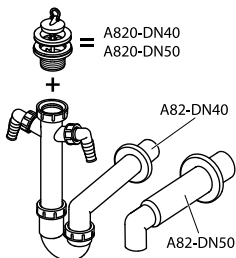
[mm]



= A810-DN40  
A810-DN50

A81-DN40  
A81-DN40-ECO

A81-DN50  
A81-DN50-ECO

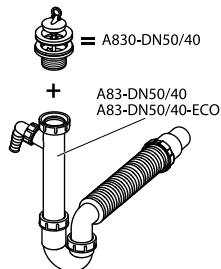


= A820-DN40  
A820-DN50

A82-DN40

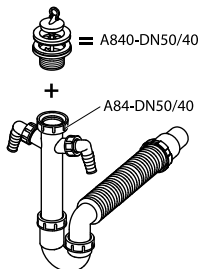
A82-DN50

	ØD	ØD1	G	H	H1	L max
A80-DN32	Ø32	—	G 5/4"	—	200-240	380
A80-DN40	Ø40	—	G 6/4"	—	200-240	320
A80-DN40-ECO	Ø40	—	G 6/4"	—	200-240	320
A80-DN50	Ø50	—	G 6/4"	—	200-240	320
A80-DN50-ECO	Ø50	—	G 6/4"	—	200-240	320
A800-DN40	Ø40	Ø70	—	225-265	—	320
A800-DN50	Ø50	Ø70	—	225-265	—	320
A81-DN40	Ø40	—	G 6/4"	—	200-240	320
A81-DN40-ECO	Ø40	—	G 6/4"	—	200-240	320
A81-DN50	Ø50	—	G 6/4"	—	200-240	320
A81-DN50-ECO	Ø50	—	G 6/4"	—	200-240	320
A810-DN40	Ø40	Ø70	—	225-265	—	320
A810-DN50	Ø50	Ø70	—	225-265	—	320
A82-DN40	Ø40	—	G 6/4"	—	200-240	320
A82-DN50	Ø50	—	G 6/4"	—	200-240	320
A820-DN40	Ø40	Ø70	—	225-265	—	320
A820-DN50	Ø50	Ø70	—	225-265	—	320



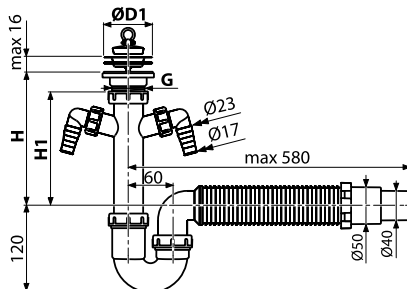
= A830-DN50/40

A83-DN50/40  
A83-DN50/40-ECO

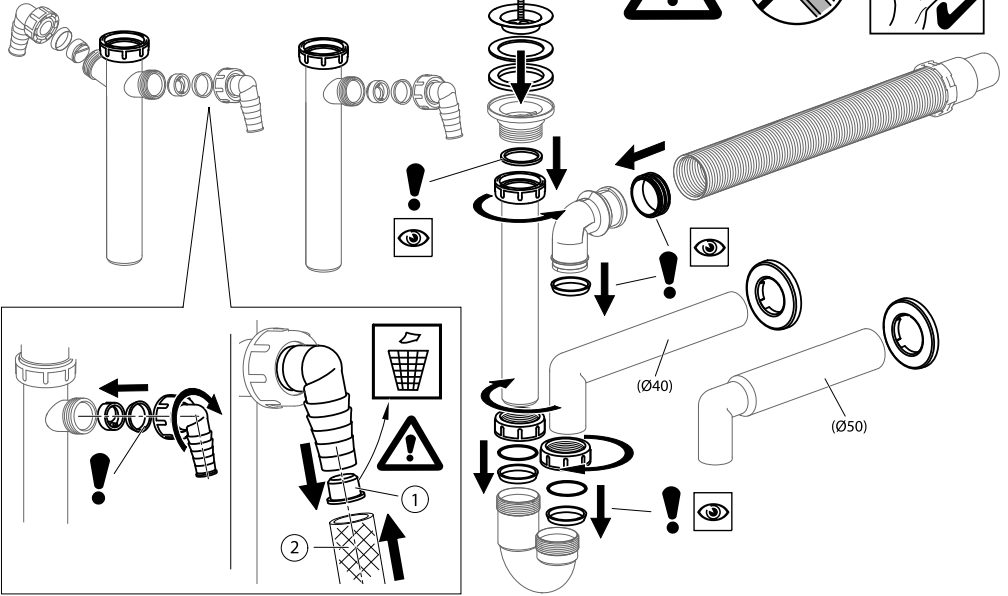


= A840-DN50/40

A84-DN50/40



	ØD1	G	H	H1
A83-DN50/40	—	G 6/4"	—	195-235
A83-DN50/40-ECO	—	G 6/4"	—	195-235
A830-DN50/40	Ø70	—	220-260	—
A84-DN50/40	—	G 6/4"	—	195-235
A840-DN50/40	Ø70	—	220-260	—



Žravnina / Alkali /  
Caustic / Cl

