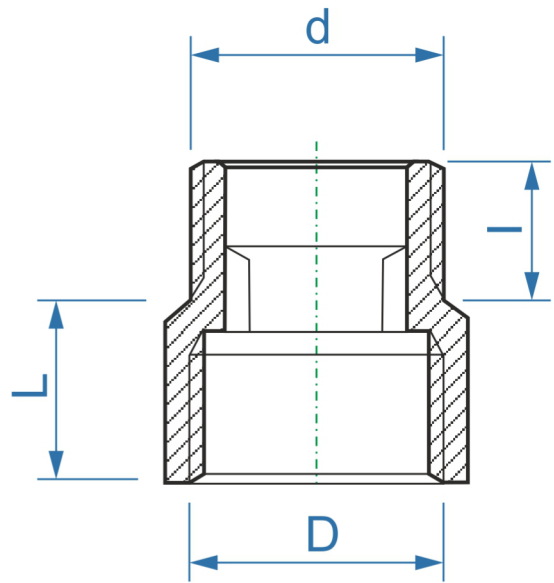


07660

prodloužení pozink



| objednací kód | PN [MPa] | L [mm] | l [mm] | D | d |
|---------------|----------|--------|--------|------|------|
| 07660-3815 | 1,0 | 15 | 11 | 3/8" | 3/8" |
| 07660-1215 | 1,0 | 15 | 11 | 1/2" | 1/2" |
| 07660-3415 | 1,0 | 15 | 12 | 3/4" | 3/4" |
| 07660-3420 | 1,0 | 20 | 12 | 3/4" | 3/4" |
| 07660-3425 | 1,0 | 25 | 12 | 3/4" | 3/4" |