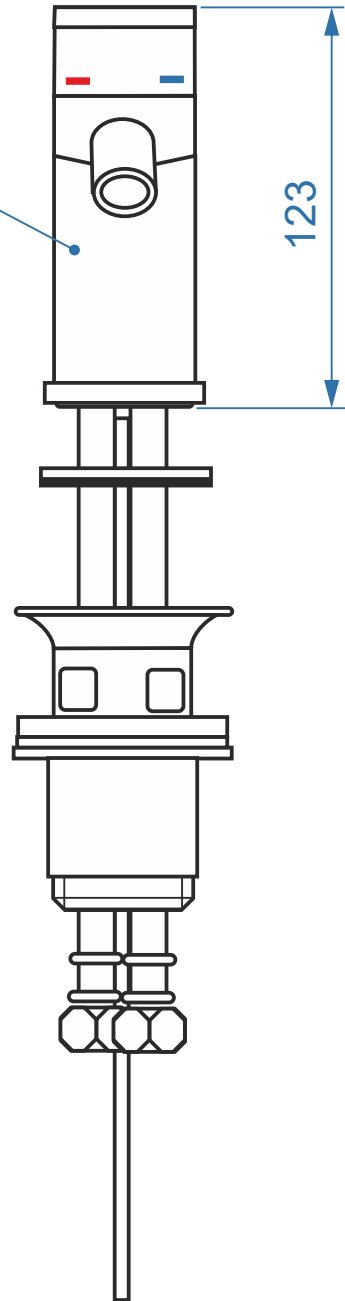
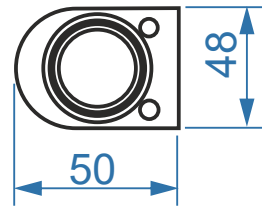


□43 x 42

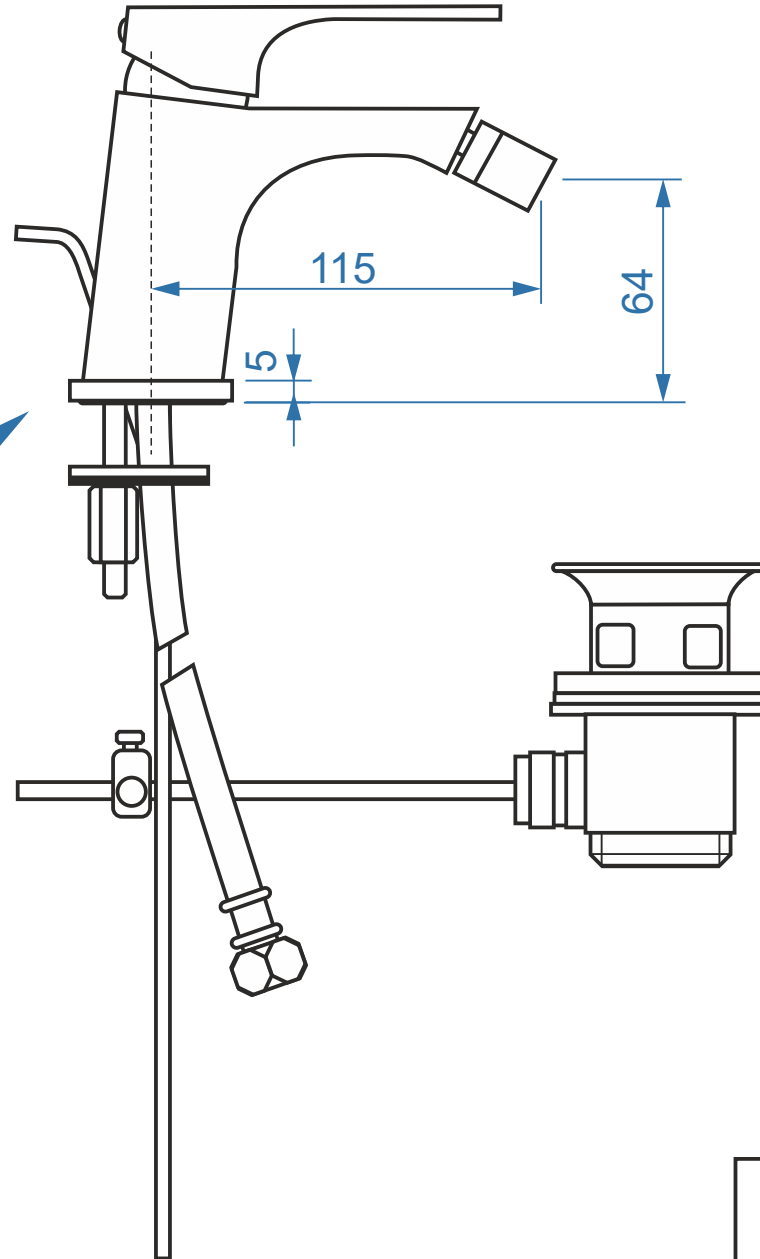


123



48

50



115

64

5

AQUARISTO
SANITARY EQUIPMENT *Style*

MAR10300